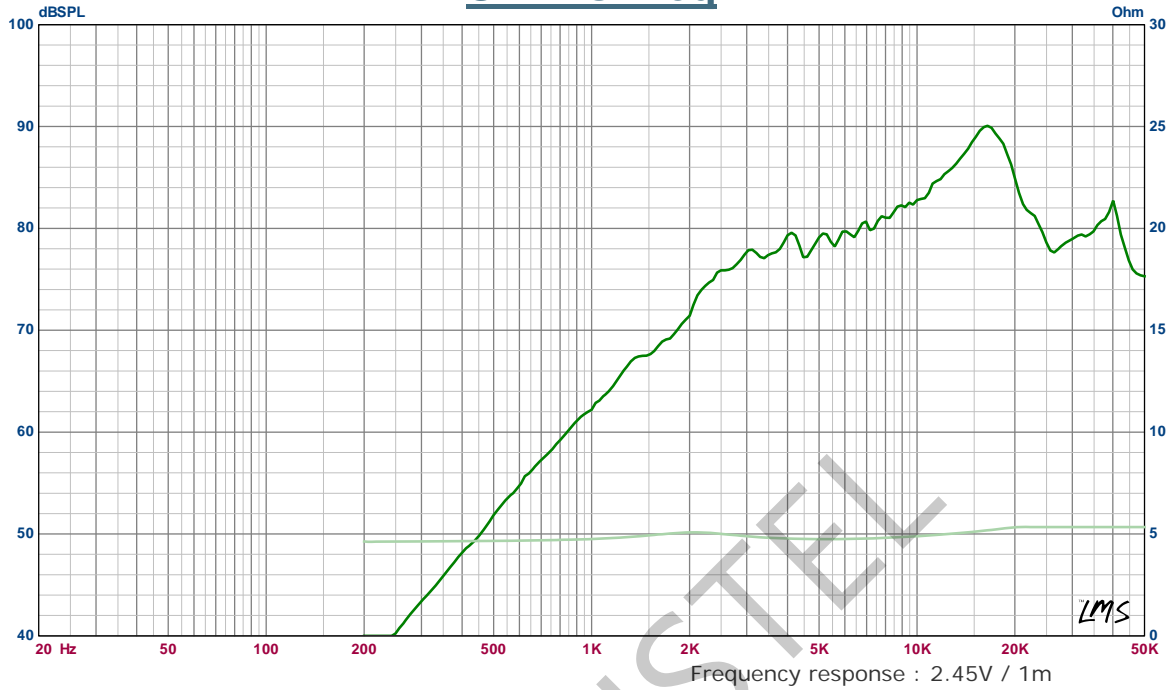


MODEL No. : U016L03SSK1

PART No. : U016XL01SSK

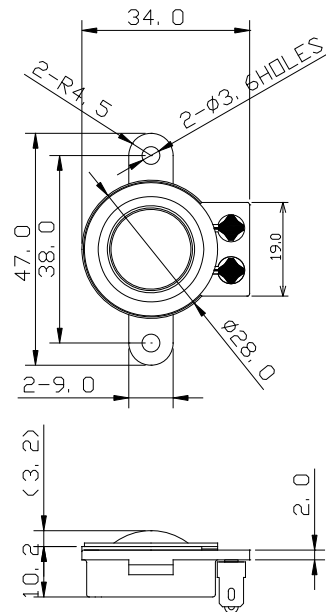
SPL vs Freq



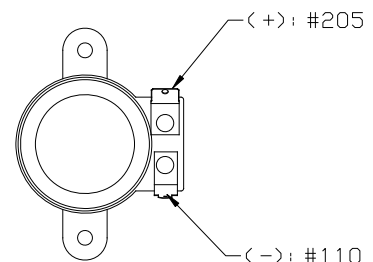
SPECIFICATION

DRAWING

Size.	16mm [0.6 inch]
Rated power handling. (RMS / Peak)	10W / 20W
Impedance.	6.0Ω ± 15%
Characteristic sensitivity. (2.45V / 1m)	81.0dB ± 2dB
Frequency range	Fo-20kHz ± 20%
Voice coil diameter in mm.	Φ16.28
Free air resonance frequency, fs	2.1k Hz ± 20%
Net weight.	25.3g [0.98oz]



REMARK



TOLERANCE ±0.2mm