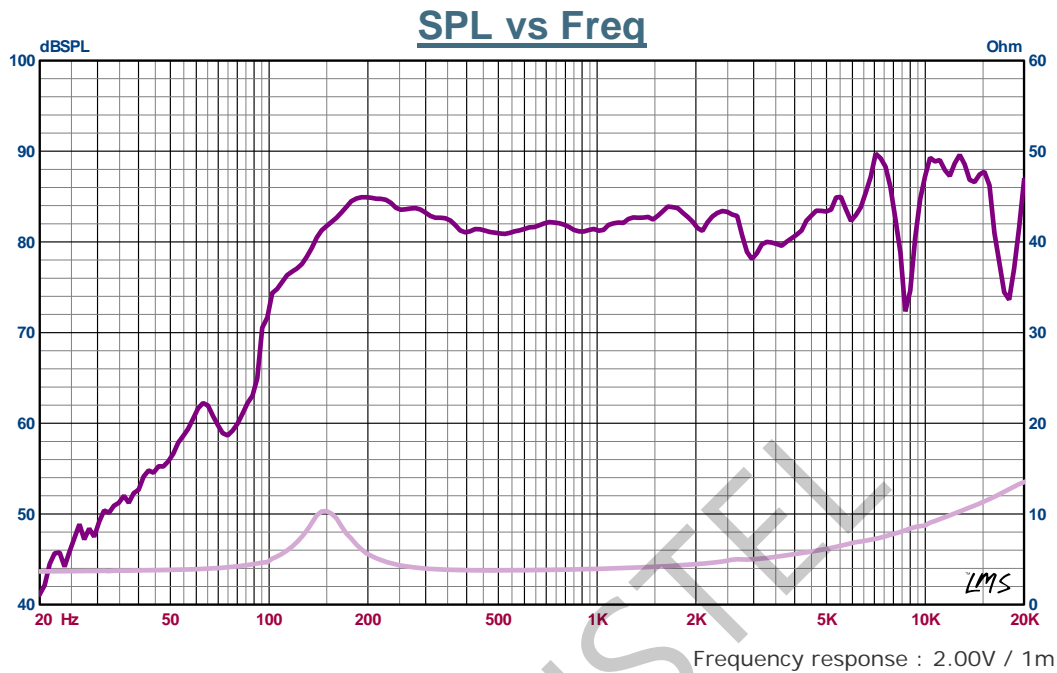
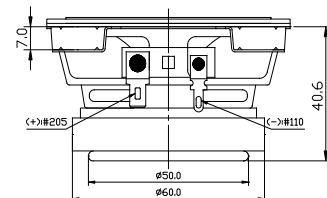
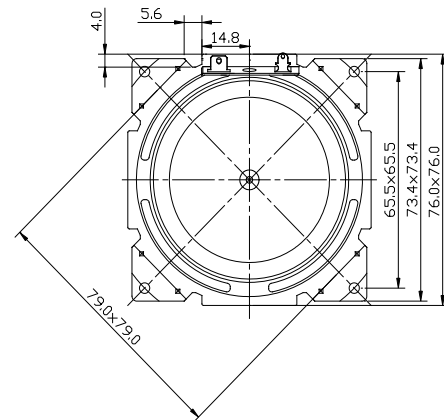


MODEL No. : U076L02SSK2

PART No. : U076XB02SSK

**SPECIFICATION****DRAWING**

Size.	76mm [3.0inch]
Rated power handling. (RMS / Peak)	26W / 60W
Impedance.	4.0Ω ± 15%
Characteristic sensitivity. (2.45V / 1m)	81.4dB ± 2dB
Frequency range	Fo-20kHz ± 20%
Voice coil diameter in mm.	Φ16.28
Free air resonance frequency, fs	150Hz ± 20%
Net weight.	266.6g [3.40oz]



TOLERANCE ±0.2mm

REMARK